

Watchlog Wireless Pressure Sensor

HT-WLP



- **Powered by 2x AA batteries up to 5 years battery life**
- **Transmit wireless pressure readings up to 1.6km distance and up to 10 times a second**
- **Automatic sleep mode when not in use to save battery life**
- **Direct or remote transmitter mounting options**

Plant Engineering
Industrial machinery
Agricultural machinery
Hydraulics
Automotive

The HT-WLP range of wireless pressure sensors allows pressure readings to be transmitted wirelessly up to 1.6km with no need for external power.

HT-WLP Watchlog Wireless Pressure Sensor

The HT-WLP wireless pressure sensors are designed for use in applications where external power is not available or where cabled sensors are not suitable such as in rotating or moving machinery.

The high-accuracy, low-noise measurement electronics deliver high-resolution, low-drift results. The readings can be transmitted at rates of up to 10 per second all the way up to 1 per minute.

The wireless sensor transmitter module provides exceptional performance in the field with a potential battery life of up to 5 years, by 'powering down' between transmissions or 'powering off' completely.

Please contact us to discuss your requirements and receive an estimated battery life calculation.

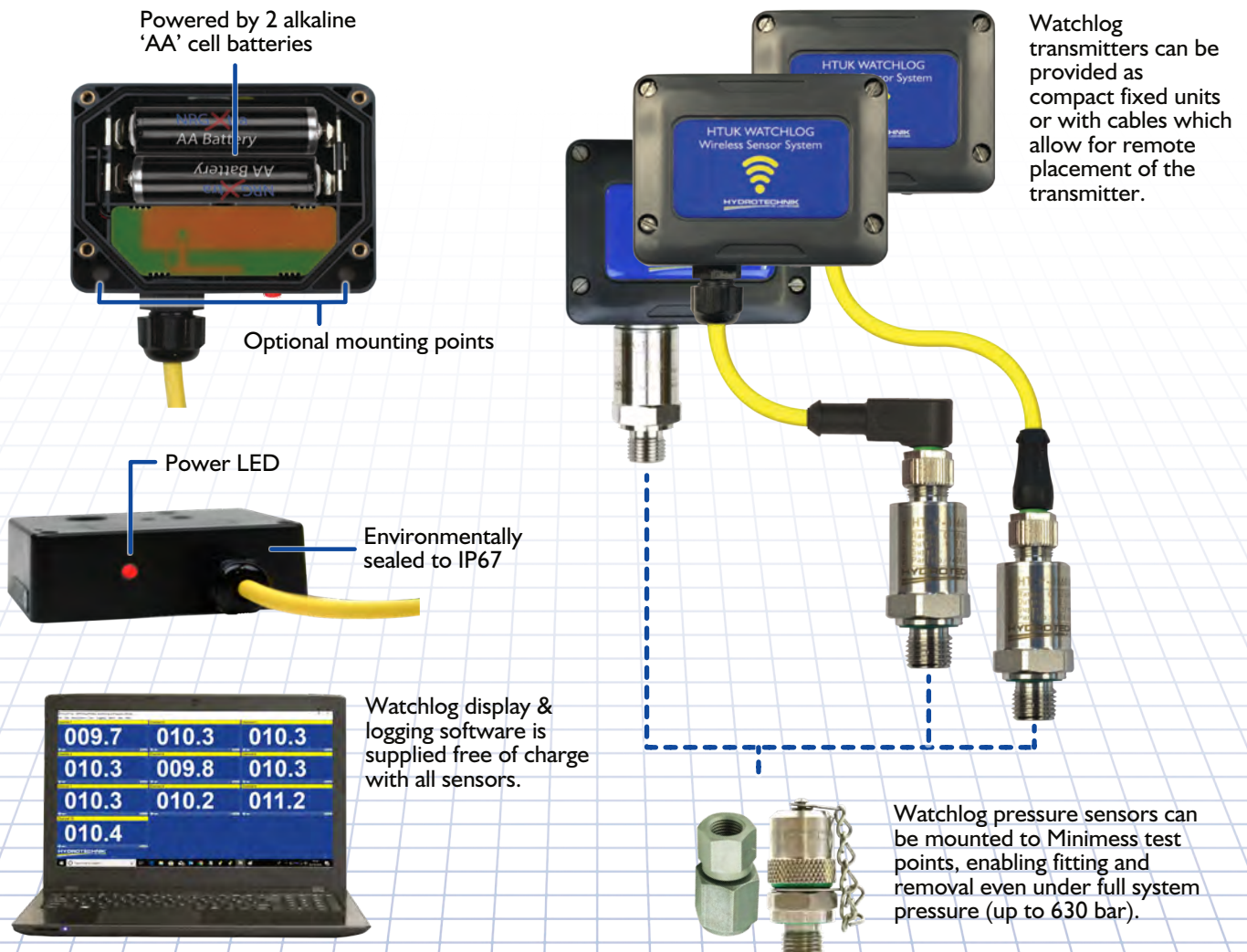
The wireless sensor transmitter modules come configured as standard with a 10ms sample every 1 second.

This can be adjusted by customers by using the free toolkit software supplied or alternatively provided required.

Sensors can be configured with the included software toolkit



HT-WLP Assembly Overview



HT-WLP Watchlog Wireless Pressure Sensor

Technical Specifications

Watchlog Transmitter

Specification	Detail
Wireless range (maximum)	800 meters
Wireless range (maximum with HT-AR extender)	1600 meters
Transmission rate	100ms...60s
Power supply	3 Vdc (2xAA batteries)
Battery life	Up to 5 years
Wireless transmitter enclosure operating temperature	-20...55°C
Pressure sensor media temperature	-40...125°C
Pressure sensor ambient temperature	-40...105°C
Pressure sensor accuracy (at RT)	0.5% FS
Pressure sensor wetted parts	SS316L
IP rating	IP67

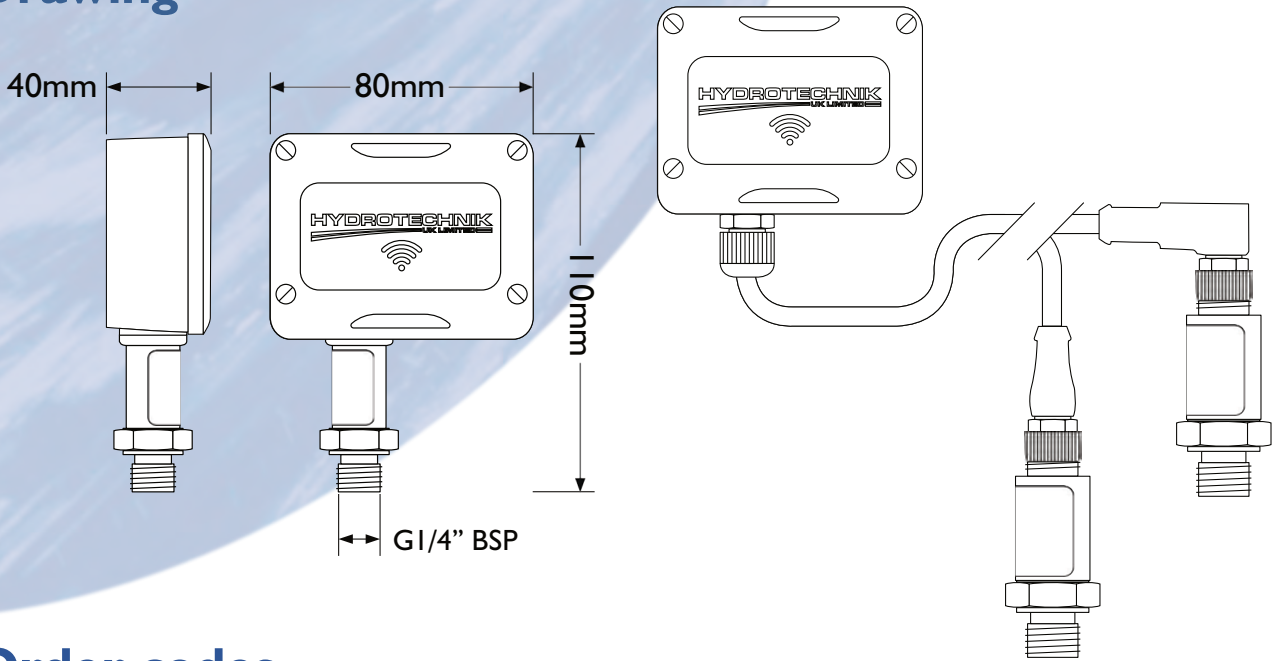
Pressure sensor

Pressure range	Over pressure (max)	Burst pressure (min)
0...25 bar	50 bar	75 bar
0...60 bar	200 bar	300 bar
0...160 bar	230 bar	480 bar
0...250 bar	500 bar	750 bar
0...400 bar	800 bar	1200 bar
0...700 bar	1200 bar	1800 bar

Other pressure ranges available on request



Drawing



Order codes

HT-WLP-XXXX - Y Z.Z

Replace **XXXX** with below code for the required pressure range

0025 = 0...25 bar
0060 = 0...60 bar
0160 = 0...160 bar
0250 = 0...250 bar
0400 = 0...400 bar
0700 = 0...700 bar

Other pressure ranges available on request

Replace **Y** with below code for the required sensor connector type

A = 90° angled
S = Straight

Leave blank if no cable required

Replace **Z.Z** with below code for cable length

1.5 = 1.5 meters
3.0 = 3.0 meters
5.0 = 5.0 meters
10.0 = 10.0 meters

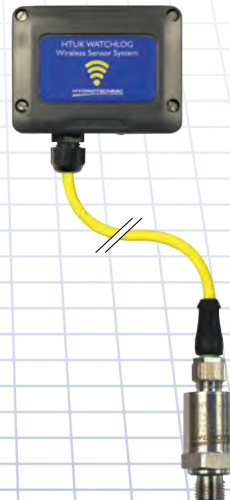
Other lengths available on request

Ordering examples



HT-WLP-0250

0...250 bar pressure sensor directly mounted to Watchlog transmitter.

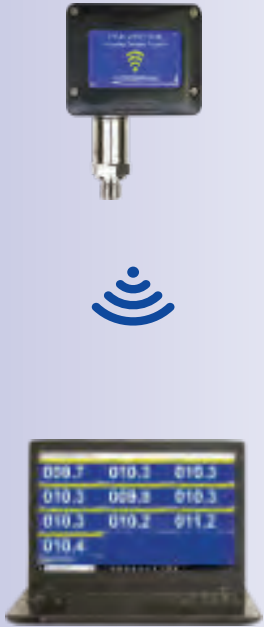


HT-WLP-0160-S3.0

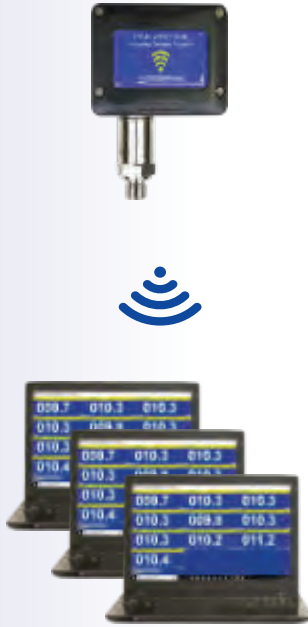
0...160 bar pressure sensor cable mounted to Watchlog transmitter using a 3.0m cable and a straight connector.

Configuration options

One-to-One



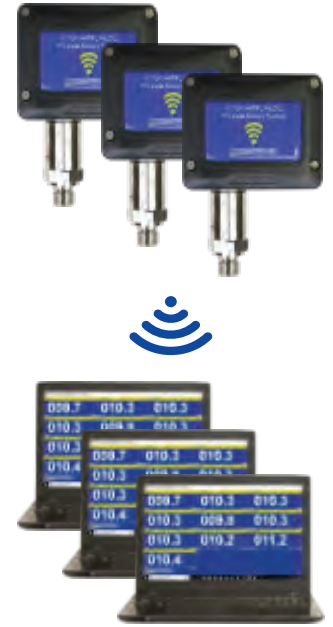
One-to-Many



Many-to-One



Many-to-Many



Other Watchlog products available



HT-WLT wireless temperature sensors



HT-WLF wireless flow meters



HT-AR signal repeaters
HT-PP I S P I solar power panel and battery pack.



HT-BSx series USB signal receiving base stations.



Watchlog display and data logging software